

## WH 50 T - HD

### Tiltable wall mount (heavy duty)

Item no.: 1792

WH 50 T - HD is a tiltable wall mount for flat screens from 32 to 75 " / 81 - 191 cm, which is optimized for portrait installation.

In addition to the standard attachment up to max. VESA 400 x 600 mm the WH 50 T - HD also offers the 125 hole pattern for optional adaptation to HAGOR stand or ceiling systems.

The wall mount is characterized above all by the fact that it is extremely sturdy and, with a maximum load of 125 kg, particularly suitable for very heavy screens.

The holder is impact and scratch resistant powder-coated, black and saves a lot of space due to the small wall distance of just 65 mm.

An integrated bubble level ensures easy installation. In order to be able to set the optimal height, a height compensation of up to 10 mm is possible. The inclination can be flexibly adjusted between  $-10^{\circ}$  and  $+10^{\circ}$ .

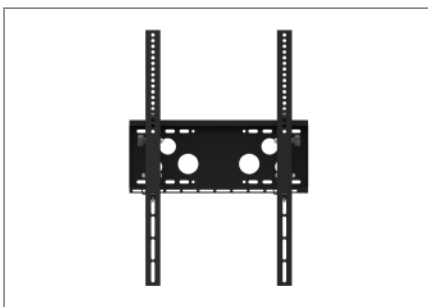
The bracket can be secured against theft with the supplied padlock.



incl. optionally usable lock function



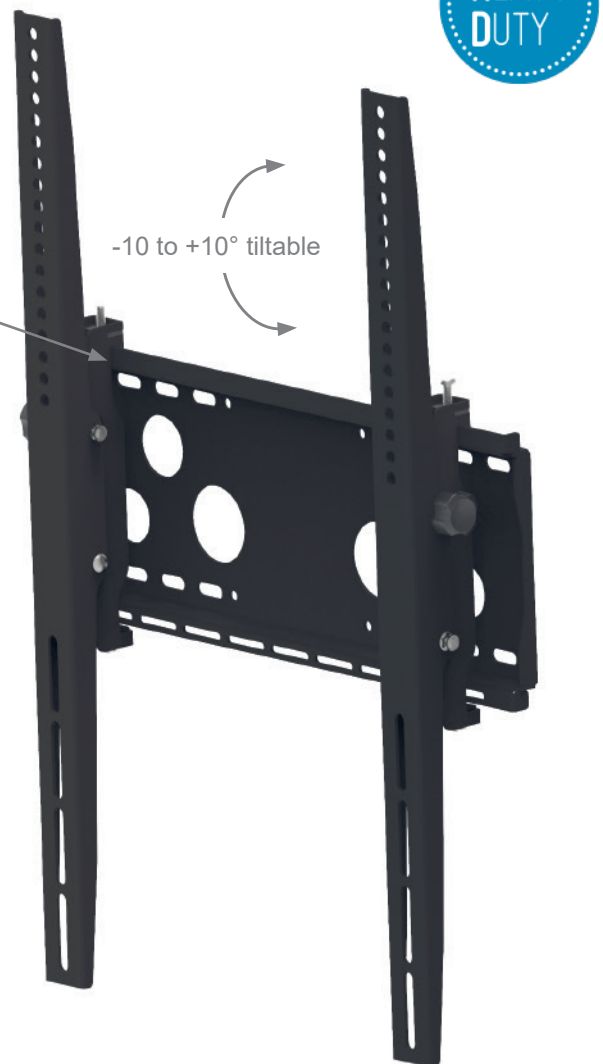
incl. height compensation up to 10 mm



horizontally adjusted after assembly thanks to oblong mounting holes

Technical changes reserved

screen position can be horizontally adjusted after assembly thanks to oblong mounting holes



## WH 50 T - HD

Item no.: 1792

### Tiltable wall mount (heavy duty)

- for screens from 32 - 75" / 81 - 191 cm
- especially for portrait installation
- including universal mount, VESA 400 x 600 mm max., 125 hole pattern for HAGOR systems
- 65 mm wall distance
- $\pm 10^\circ$  tiltable
- incl. bubble level (removeable)
- incl. height compensation up to 10 mm
- Colour: black
- impact and scratch resistant powder-coated
- lockable with the supplied padlock (can be used optionally)
- Heavy Duty - load capacity up to 125 kg max.
- available as an option:  
Vesa Adapter stripes 800 (Item no.: 1469)

